

# TDN WDR IR Bullet Camera

Honeywell's new Performance Series IP bullet cameras are taking quality and reliability to the next level, offering outstanding picture clarity and hassle-free flexible system integration.

## Superior Image Quality

- Full HD 1080p 25/30 fps image with a 1/2.7" 2mp sensor or full HD 4 MP 20 fps image with a 1/3" 4 megapixel sensor
- Wide Dynamic Range, up to 120 dB, ensures glare-free images
- True Day/Night provides vivid color images by day and clear black-and-white images at night with ICR
- Excellent low-light performance with 3D noise reduction, saving storage and bandwidth

## Flexible Surveillance Solution

- 3.6 mm fixed lens at F2.1 or F2.2
- H.264 and MJPEG codec, triple stream support
- IR LEDs provide up to 130 ft (40 m) of illumination in dimly lit or nighttime scenes (depending on scene reflectance)
- Smart IR technology provides even distribution of IR
- Weatherproof (IP66) camera housing
- -30°C to 60°C (-22°F to 140°F) working temperature
- Plug-and-play compatible with Honeywell 4/8/16-channel Performance Series Embedded NVRs

## Easy to Install and Use

- Built-in PoE (Power over Ethernet) eliminates need for separate power supply and associated wiring; 12 VDC inputs where PoE power is unavailable
- Remote configuration through web client or from the NVR

## Market Opportunities

These flexible, fully featured cameras are ideal for a wide range of surveillance applications, providing excellent picture quality at minimal bandwidth while offering reliable protection against dust, dirt, and water.

## FEATURES AND BENEFITS

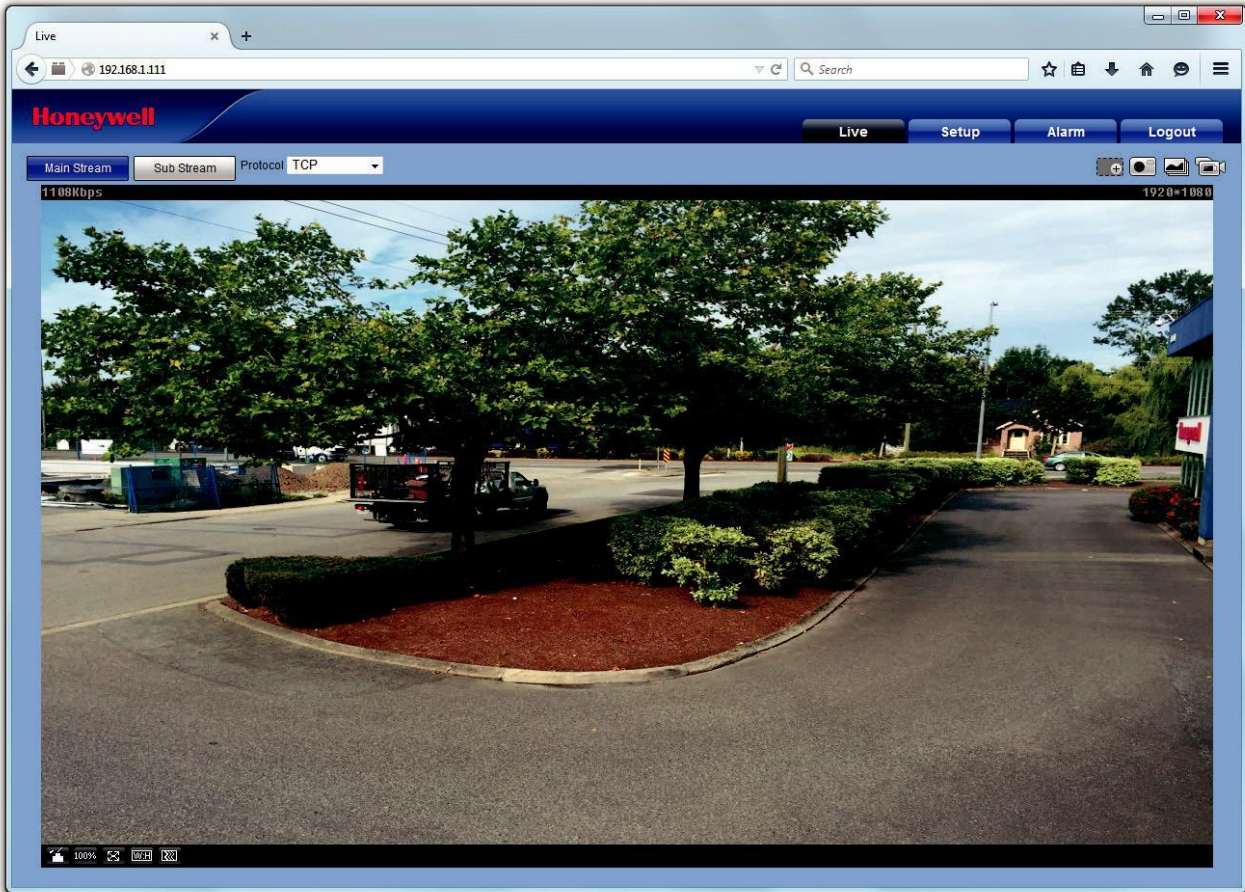
---

- |   |   |  |   |
|---|---|--|---|
| <ul style="list-style-type: none"><li>• 1/2.7" 2 MP or 1/3" 4 MP progressive scan imager</li><li>• 3.6 mm fixed lens</li><li>• True day/night (IR-cut filter)</li><li>• Wide dynamic range up to 120 dB</li></ul> | <ul style="list-style-type: none"><li>• Low-light performance down to 0.01 lux (color) or 0 lux with IR LEDs on</li><li>• Up to 130 ft (40 m) IR illumination, depending on scene reflectance</li></ul> | <ul style="list-style-type: none"><li>• H.264 Main Profile compression</li><li>• Triple stream support</li><li>• Supports up to 20 connections</li><li>• Corridor mode</li><li>• PoE, 12 VDC support</li></ul> | <ul style="list-style-type: none"><li>• Plug-and-play compatible with Honeywell Performance Series Embedded NVRs</li><li>• Weatherproof housing with IP66 ingress protection rating</li></ul> |
|---|---|--|---|

# TDN WDR IR Bullet Camera

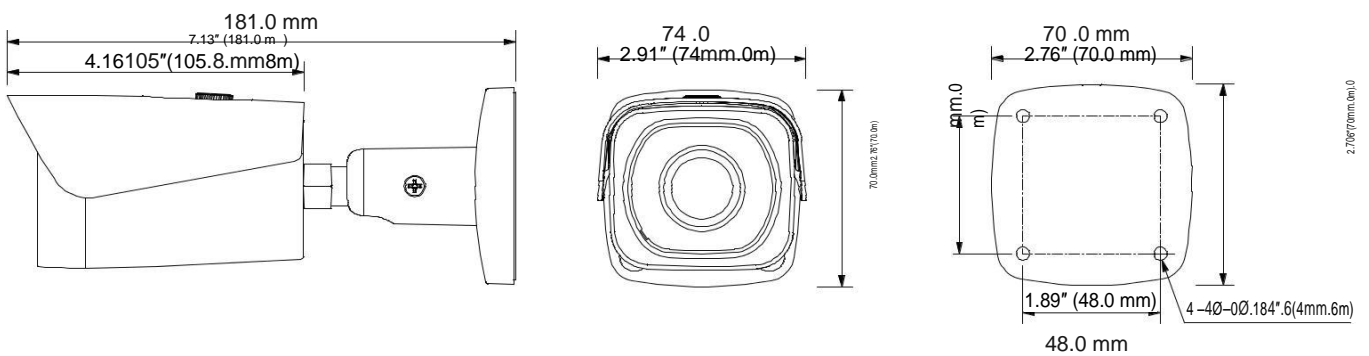
## Security Features

The camera can be configured to automatically detect and respond to events such as motion in the scene and/or camera tampering. Automated responses include sending a notification through email, FTP, and/or HTTP, and sending a still image of the event through email and/or FTP. Setup can be done using the web client or from an NVR.



## DIMENSIONS

### Dimensions



# TDN WDR IR Bullet Camera

## SPECIFICATIONS

OPERATIONAL		
VIDEO STANDARD	NTSC/PAL	
SCANNING SYSTEM	Progressive scan	
IMAGE SENSOR	2mp: 1/2.7" 2 MP CMOS 4MP: 1/3" 4 MP CMOS	
NUMBER OF PIXELS (HxV)	2mp: 1920x1080 4MP: 2688x1520	
MINIMUM ILLUMINATION	0.01 lux, F2.0 (color) 0 lux (with IR LEDs on)	
S/N RATIO	50 dB or more	
ELECTRONIC SHUTTER SPEED	Auto, Manual, 1/3–1/100 000 s	
IR DISTANCE	Up to 130 ft (40 m), depending on scene reflectance	
DAY/NIGHT	Auto(ICR)/Color/BW	
BACKLIGHT COMPENSATION	BLC/HLC/WDR (120 dB)	
WHITE BALANCE	Auto/Sunny/Night/Outdoor/Customized	
GAIN CONTROL	Auto/Manual	
NOISE REDUCTION	3DNR	
PRIVACY MASKING	Up to 4 areas	
LENS	2mp: 3.6 mm, F2.2 4MP: 3.6 mm, F2.1	
HORIZONTAL ANGLE OF VIEW	2mp: 93° 4MP: 84°	
CORRIDOR MODE	Yes	
VIDEO		
VIDEO COMPRESSION	H.264/H.264H/H.264B/MJPEG	
RESOLUTION	2mp: 1080p (1920x1080)/ 720p (1280x720)/D1 (704x576/ 704x480)/CIF (352x288/352x240) 4MP: 4 MP (2688x1520/ 2560x1440)/3 MP (2304x1296)/ 1080p (1920x1080)/720p (1280x720)/D1 (704x576/ 704x480)/ CIF (352x288/352x240)	
FRAME RATE	MAIN STREAM	2mp: 1080p/720p (1–25/30 fps) 4MP: 4 MP (1–20 fps)/3MP (1–25/30 fps)
	SUB STREAM	D1/CIF (1–25/30 fps)
	TRIPLE STREAM	2mp: 720p (1–13/4 fps) 4MP: 720p (1–20 fps)
BIT RATE (H.264)	32 Kbps – 10 Mbps	

NETWORK	
ETHERNET	RJ-45 (10/100Base-T)
PROTOCOLS*	IPv4/IPv6, HTTP, HTTPS, SSL, TCP/IP, UDP, UPnP, ICMP, IGMP, SNMP, RTSP, RTP, SMTP, NTP, DHCP, DNS, PPPoE, DDNS, FTP, IP Filter, QoS, Bonjour, 802.1X
COMPATIBILITY MAX.	ONVIF Profile S*
USER ACCESS	20 users
MOBILE DEVICES	iPhone, iPad, Android
ELECTRICAL POWER	
SUPPLY POWER	PoE IEEE 802.3af Class 0, 12 VDC
CONSUMPTION	2mp: 6.5 W max. 4MP: 6.0 W max.
MECHANICAL	
DIMENSIONS	181.0 × 74.0 × 70.0 mm (7.13 × 2.91 × 2.76 in.)
PRODUCT WEIGHT	0.88 lb (0.4 kg)
PACKAGE WEIGHT	1.17 lb (0.53 kg)
CONSTRUCTION	Die-cast aluminum housing with powder coat
CONSTRUCTION COLOR	RAL 9003 (White)
ENVIRONMENTAL	
TEMPERATURE	–30°C to 60°C (–22°F to 140°F)
RELATIVE HUMIDITY	0–95%, non-condensing
INGRESS PROTECTION	IP66
REGULATORY	
EMISSIONS	FCC Part 15, CE (EN 55032)
IMMUNITY	CE (EN 50130-4)
SAFETY	North America UL Listed to UL/CSA 60950-1, CE (EN 60950-1) North America UL Listed to UL/CSA 60950-22, CE (EN 60950-22)

\* Some development may be required in specific user cases to support some of these protocols in the field as they mature over time.

# TDN WDR IR Bullet Camera

## SPECIFICATIONS

---

### SYSTEM INTEGRATION

#### OPEN IP INTEGRATION

ONVIF support and open API software integration. Refer to [www.onvif.org](http://www.onvif.org) for the ONVIF specification and the Honeywell Open Technology Alliance website (<http://www.security.honeywell.com/hota/>) to learn more about our open and integrated solutions.

